

DISPLAY Elektronik GmbH

DATA SHEET

LED Backlight

DE LP-513-W

Product Specification

Version : 2

30/Aug/2022

GENERAL SPECIFICATION

MODEL NO. :

DE LP-513-W

CUSTOMER P/N

VERSION NO.	CHANGE DESCRIPTION	DATE
0	ORIGINAL VERSION	22.08.2022
1	UPDATE THE BL DRAWING	26.08.2022
2	ADD MAXIMUM CURRENT	30.08.2022

PREPARED BY: CC

DATE: 30.08.2022

APPROVED BY: MH

DATE: 30.08.2022

CONTENTS

1. BACKLIGHT COLOUR: WHITE..... 2

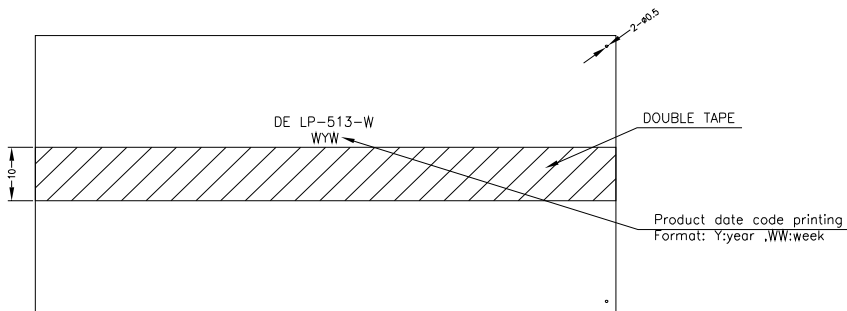
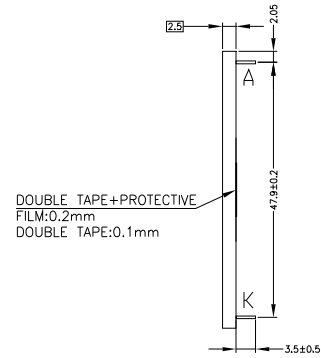
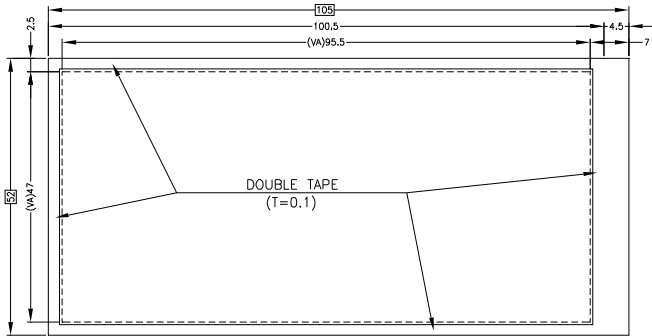
2. EXTERNAL DIMENSIONS 2

3. SPECIFICATIONS & ELECTRICAL CHARACTERISTIC 3

1. BACKLIGHT COLOUR: WHITE

- RoHS Conformed

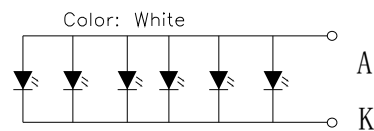
2. EXTERNAL DIMENSIONS



Remarks:

1. Unmarked tolerance is ± 0.3
2. All materials comply with RoHS
3.:critical dimension.
4. Operation temperature: -20°C to $+70^{\circ}\text{C}$
Storage temperature: -40°C to $+90^{\circ}\text{C}$

Circuit Diagram



INTERNAL CIRCUIT DIAGRAM

3. SPECIFICATIONS & ELECTRICAL CHARACTERISTIC

Electronics/Optical Specifications:

Ta=25°C. Unless specified, The Ambient temperature Ta=25°C

Item	Symbol	min.	typ.	max.	Unit	Condition
Forward Voltage	V _f	2.6	3	3.3	V	I _f =120 mA
Power Dissipation	P _d	–	–	360	mW	I _f =120 mA
Luminous Uniformity	ΔL _v	70			%	MIN/MAX*100%
Luminance	L _v	1200	1300	–	cd/m ²	I _f =120mA T=25°C
Color Coordinate	X	0.270		0.340		
	Y	0.270		0.340		
Maximum current	I _f	–	–	180	mA	
Lifetime	50000(brightness reduce half)				Hours	